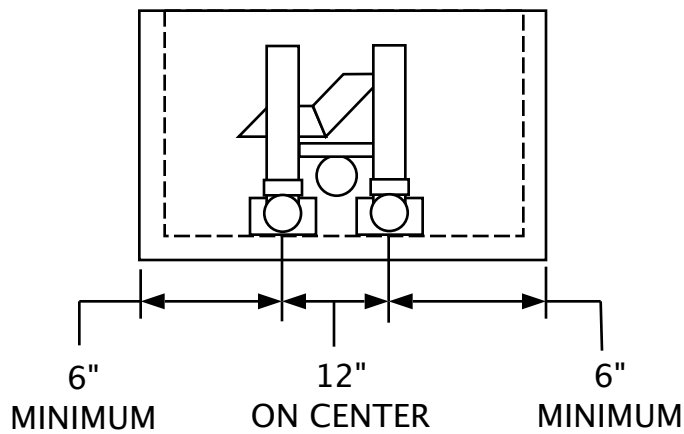
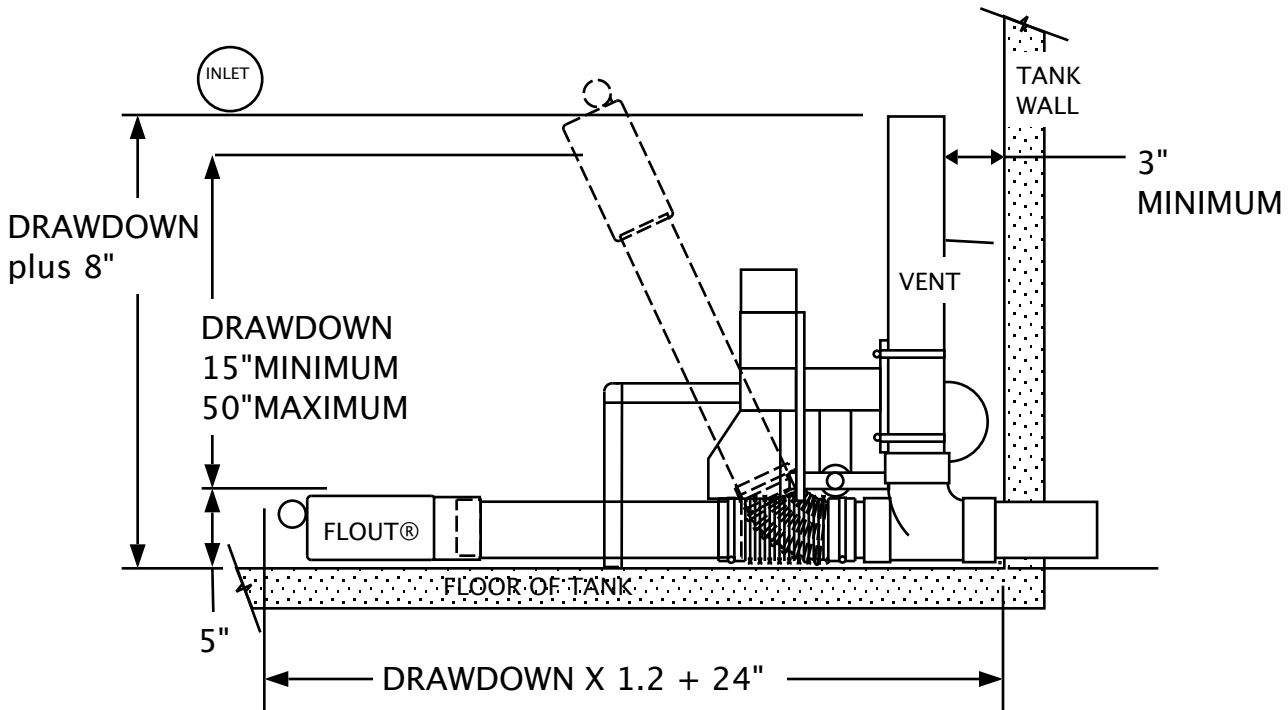


TANK AND VENT SET-UP FOR ALTERNATING FLOUT®



RISSY PLASTICS, LLC
 350 Cedar Lane
 Torrington, CT 06790 USA
 860-482-1645
 877-221-4426
 rissyplastics.com
 tanxrus@aol.com

FLOUT® is a registered trademark of Rissy Plastics
 US Patent 5290434